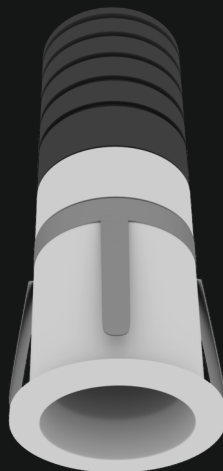


iSkew

Size does matter

A combination of miniature set of fixtures with
small aperture as well low depth fixtures for
tight ceiling spaces





Project - Ivar Boutique
New York City, USA

iSkew - Features



iSkew Flat

Shallow Depth for tight installations
Available in fixed and tiltable versions

iSkew Deep

Shallow Depth for tight installations
with anti glare metallised & matt
reflector options. Internally
adjustable accent fixture





iSkew Niche

Small diameter fixtures with fixed and tiltable options

iSkew Fix & Tilt

Fixed and Tiltable fixtures in small diameter with higher light output
Deep set light source for visual comfort



iSkew Niche

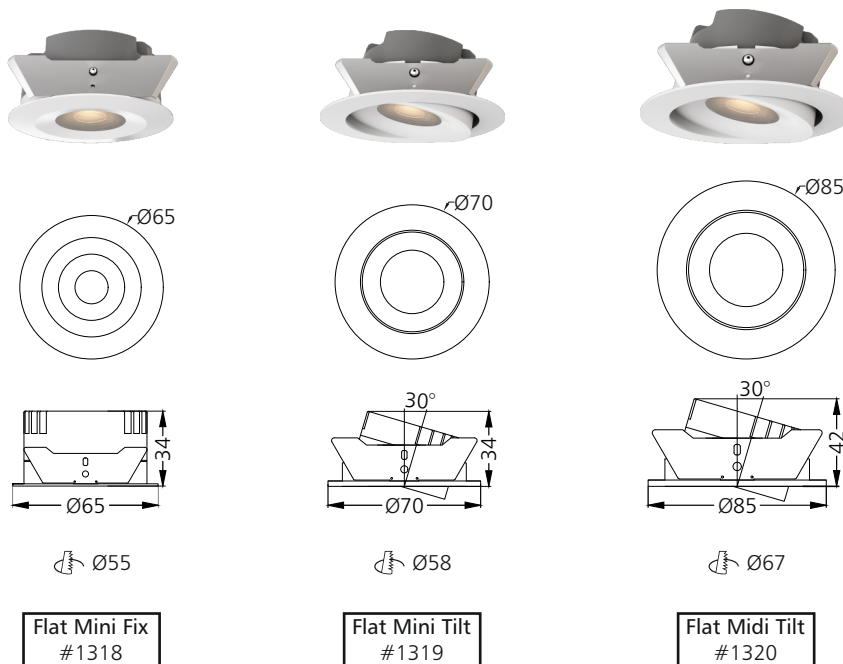
Miniature opening available in 3 sizes
Deep set light source for visual comfort



iSkew

LED	Typ CRI	Trim Finish	Interior Finish	IP Rating	Dimming Options	Filter Options
Array 2 Step MacAdam L90-B10 60,000Hrs	95	Matt White Matt Black	Matt White	IP20	Non Dim Triac Analog Dali Dali Tunable RF Tunable	NA

iSkew Flat

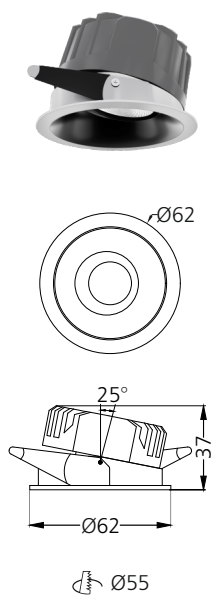


Power	5W - 120mA	5W - 120mA	7W - 190mA
Lumen / CCT	370lm - 2700K 380lm - 3000K 390lm - 4000K Tunable White	370lm - 2700K 380lm - 3000K 390lm - 4000K Tunable White	520lm - 2700K 535lm - 3000K 550lm - 4000K Tunable White
UGR	<19	<19	<19
Beam Angle	15° 24° 38°	15° 24° 38°	15° 24° 38°
Driver Placement	Remote	Remote	Remote

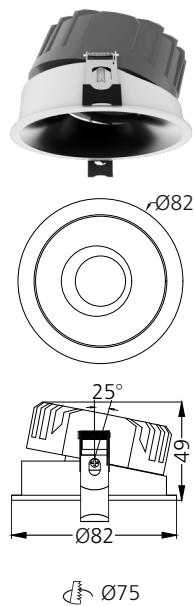
iSkew

LED	Typ CRI	Trim Finish	Interior Finish	IP Rating	Dimming Options	Filter Options
Array 2 Step MacAdam L90-B10 60,000Hrs	95	Matt White Matt Black	Matt White Matt Black Specular Matt Gold Matt Silver	IP20	Non Dim Triac Analog Dali Dali Tunable RF Tunable	NA

iSkew Deep



Deep Mini Accent
#1321



Deep Midi Accent
#1322

Power
Lumen / CCT

UGR
Beam Angle

Driver Placement

5W - 120mA
355lm - 2700K
370lm - 3000K
385lm - 4000K
Tunable White

<19
15° 24°
38°

Remote

7W - 190mA
510lm - 2700K
520lm - 3000K
535lm - 4000K
Tunable White

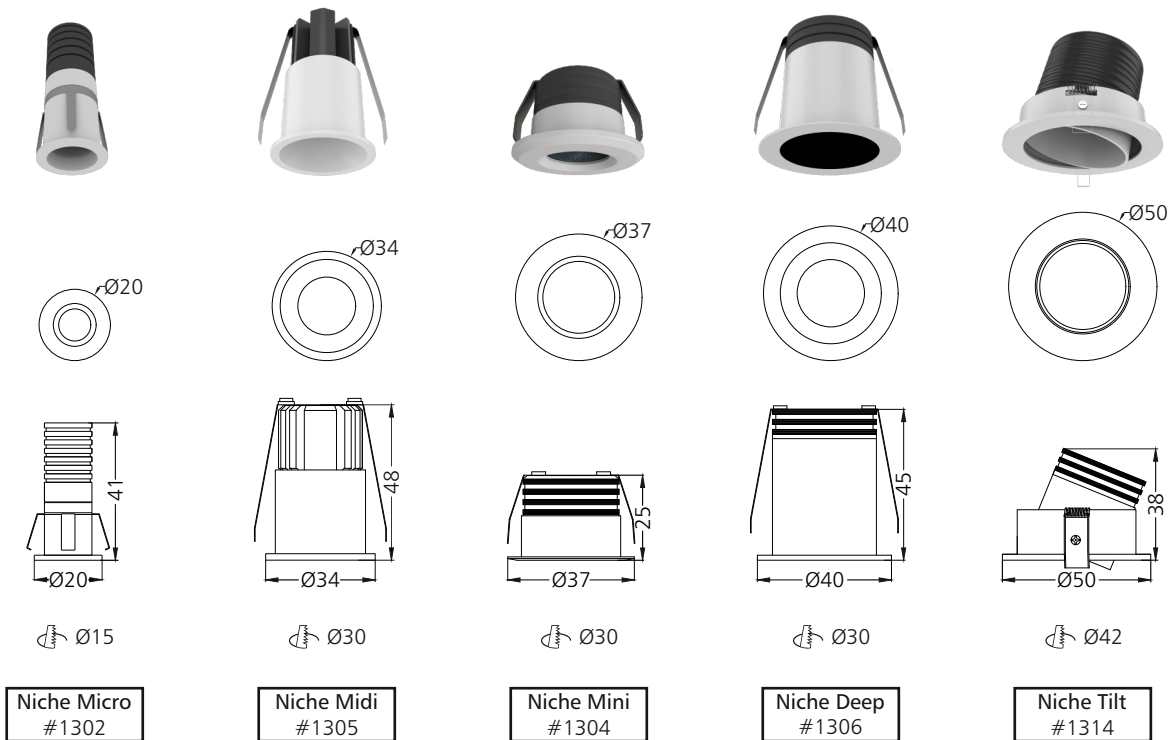
<19
15° 24°
38°

Remote

iSkew

LED	Typ CRI	Trim Finish	Interior Finish	IP Rating	Dimming Options	Filter Options
High Power 3 Step MacAdam L90-B10 60,000Hrs	92	Matt White Matt Black	Matt White Matt Black	IP20	Non Dim Triac Analog Dali	NA

iSkew Niche

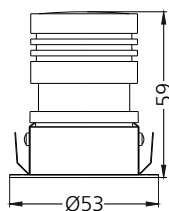
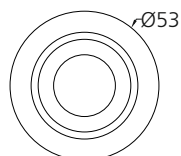


	Niche Micro #1302	Niche Midi #1305	Niche Mini #1304	Niche Deep #1306	Niche Tilt #1314
Power	1W/3W - 300mA/600mA	1W/3W - 300mA/600mA	1W/3W - 300mA/600mA	1W/3W - 300mA/600mA	1W/3W - 300mA/600mA
Lumen / CCT	57lm/171lm - 2700K 59lm/175lm - 3000K 62lm/181lm - 4000K	76lm/220lm - 2700K 79lm/227lm - 3000K 82lm/234lm - 4000K	76lm/220lm - 2700K 79lm/227lm - 3000K 82lm/234lm - 4000K	76lm/220lm - 2700K 79lm/227lm - 3000K 82lm/234lm - 4000K	76lm/220lm - 2700K 79lm/227lm - 3000K 82lm/234lm - 4000K
UGR	<19	<19	<19	<19	<19
Beam Angle	15° 24° 38°	10° 15° 24° 38° 60°	10° 15° 24° 38° 60°	10° 15° 24° 38° 60°	10° 15° 24° 38° 60°
Driver Placement	Remote	Remote	Remote	Remote	Remote

iSkew

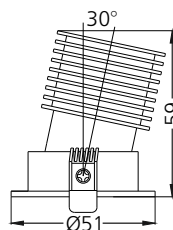
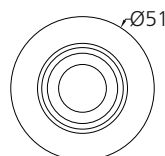
LED	Typ CRI	Trim Finish	Interior Finish	IP Rating	Dimming Options	Filter Options
Array 2 Step MacAdam L90-B10 60,000Hrs	95	Matt White Matt Black	Matt Black	IP20	Non Dim Triac Analog Dali Dali Tunable RF Tunable	NA

iSkew Fix & Tilt



Ø45

Fix
#1308



Ø40

Tilt
#1312

Power	7W - 190mA
Lumen / CCT	595lm - 2700K 610lm - 3000K 630lm - 4000K Tunable White
UGR	<19
Beam Angle	15° 24° 38°
Driver Placement	Remote

Power	7W - 190mA
Lumen / CCT	525lm - 2700K 540lm - 3000K 555lm - 4000K Tunable White
UGR	<19
Beam Angle	15° 24° 38°
Driver Placement	Remote